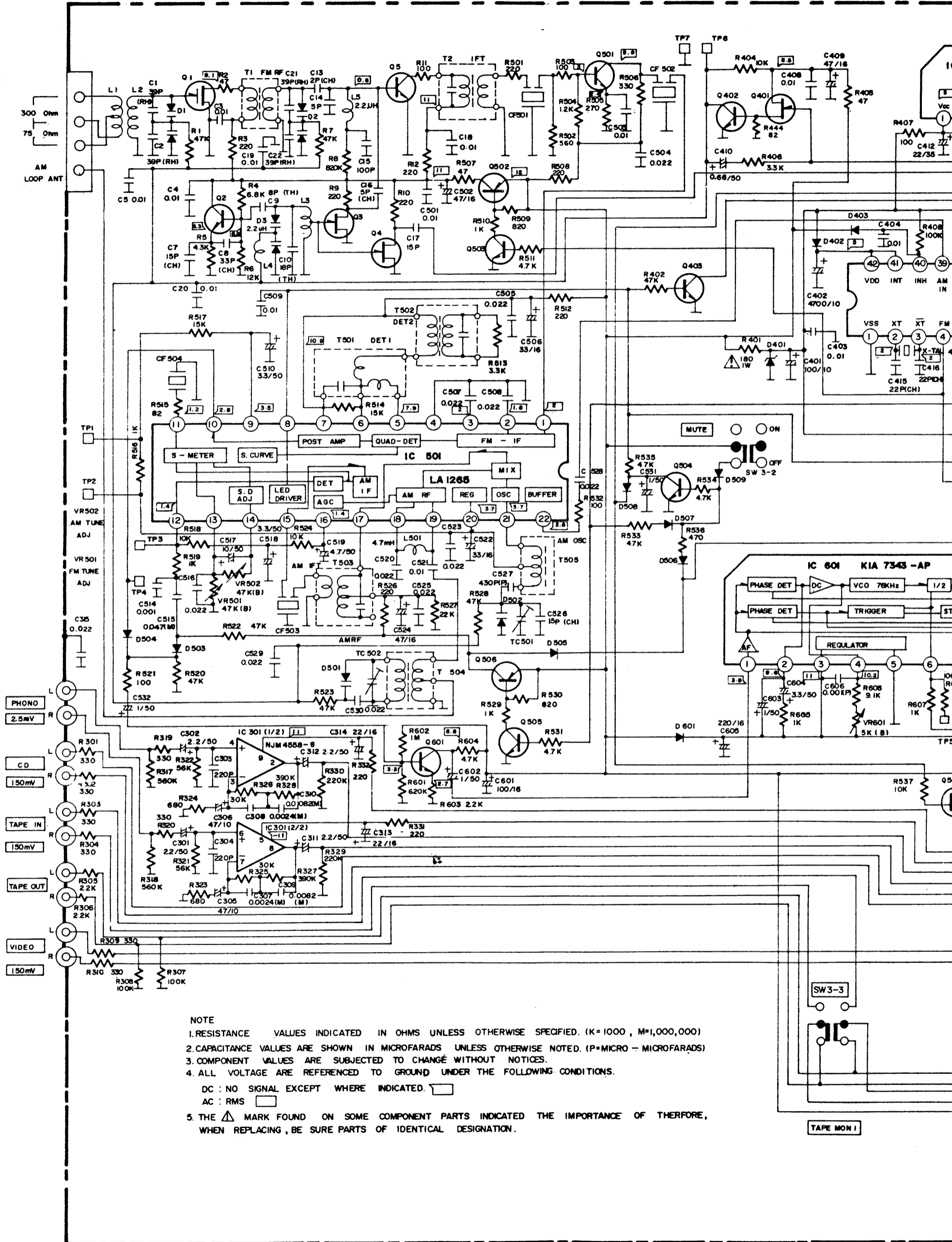
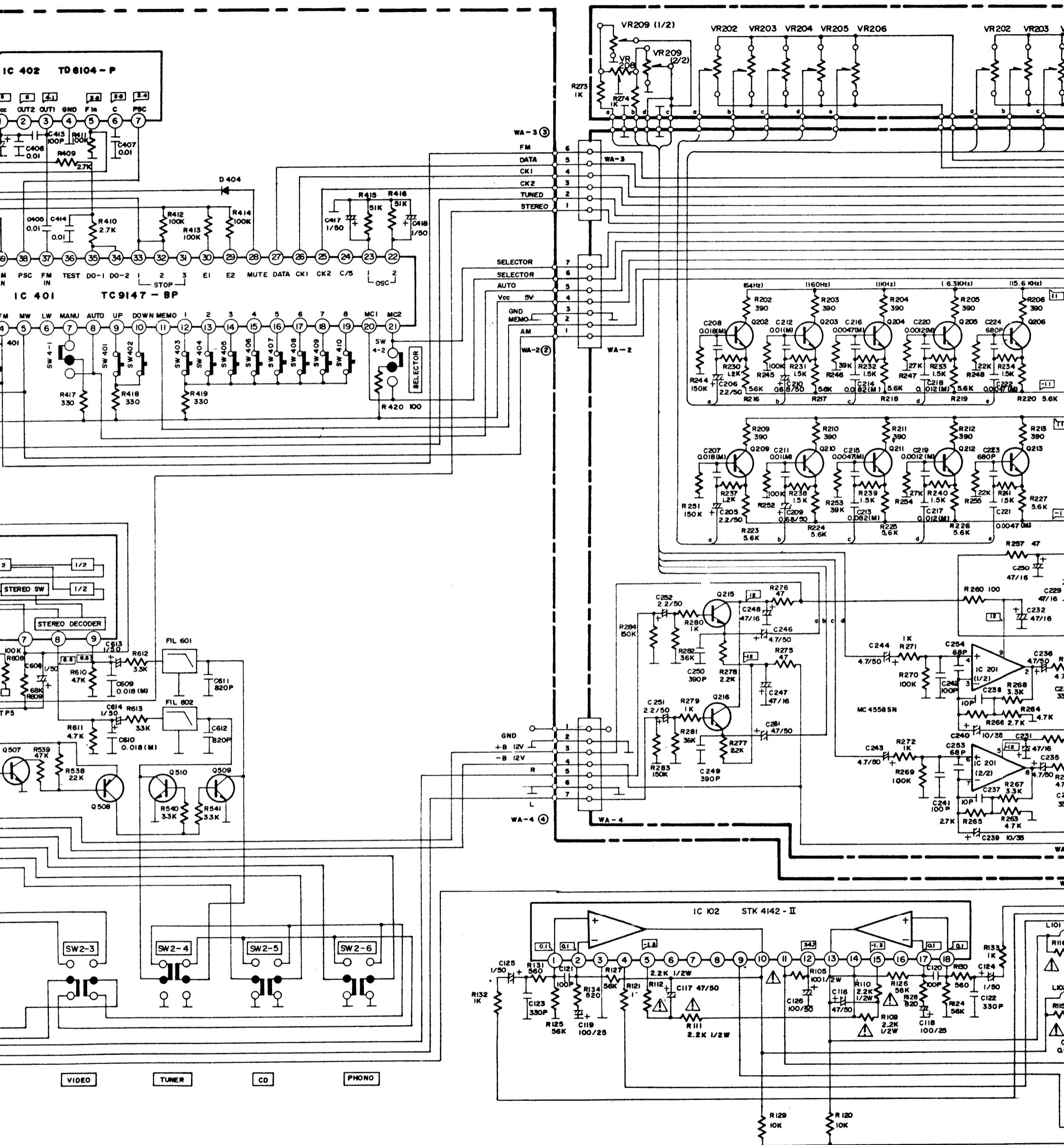


9. SCHEMATIC DIAGRAM



NOTE

1. RESISTANCE VALUES INDICATED IN OHMS UNLESS OTHERWISE SPECIFIED. (K=1000, M=1,000,000)
2. CAPACITANCE VALUES ARE SHOWN IN MICROFARADS UNLESS OTHERWISE NOTED. (P=MICRO - MICROFARADS)
3. COMPONENT VALUES ARE SUBJECTED TO CHANGE WITHOUT NOTICES.
4. ALL VOLTAGE ARE REFERENCED TO GROUND UNDER THE FOLLOWING CONDITIONS.
 DC: NO SIGNAL EXCEPT WHERE INDICATED.
 AC: RMS
5. THE Δ MARK FOUND ON SOME COMPONENT PARTS INDICATED THE IMPORTANCE OF THEREFORE, WHEN REPLACING, BE SURE PARTS OF IDENTICAL DESIGNATION.



VIDEO TUNER CD PHONO